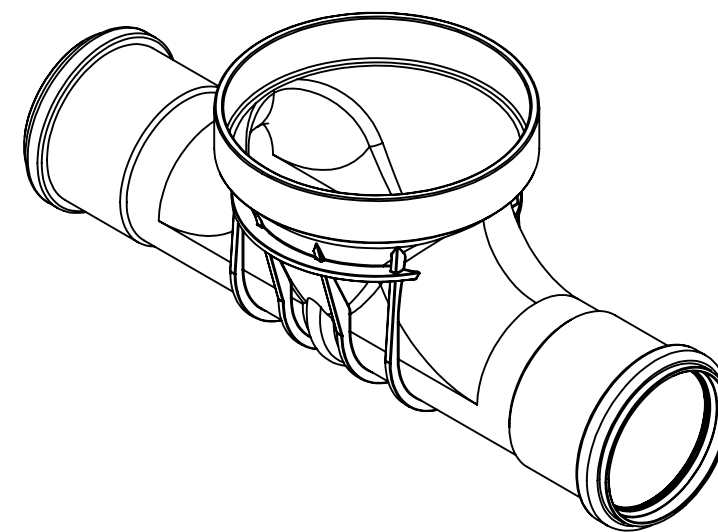


SECTION A-A



GENERAL TOLERANCES according to ISO 2768mK  
 CASTING according to ISO 8062  
 FLAME CUTTING according to ISO 9013-331  
 WELDING QUALITY: Level C according to SFS-EN ISO 5817  
 WELDED STRUCTURES according to EN-ISO 13920-BE

Revision description

Designed by

Approved by

200	/	110
A	/	B

	Mass	Material	Designed by	Date
	Units mm	Scale 1:5	Approved by	Date
	Sheet 1/1	Sheet size A3	THE INFORMATION CONTAINED IN THIS DRAWING IS THE SOLE PROPERTY OF BELLAPIPE OY. ANY REPRODUCTION IN PART OR AS A WHOLE WITHOUT THE WRITTEN PERMISSION OF BELLAPIPE OY IS PROHIBITED.	
	Description Tarkastuskaivon pohja	Drawing number	Rev	