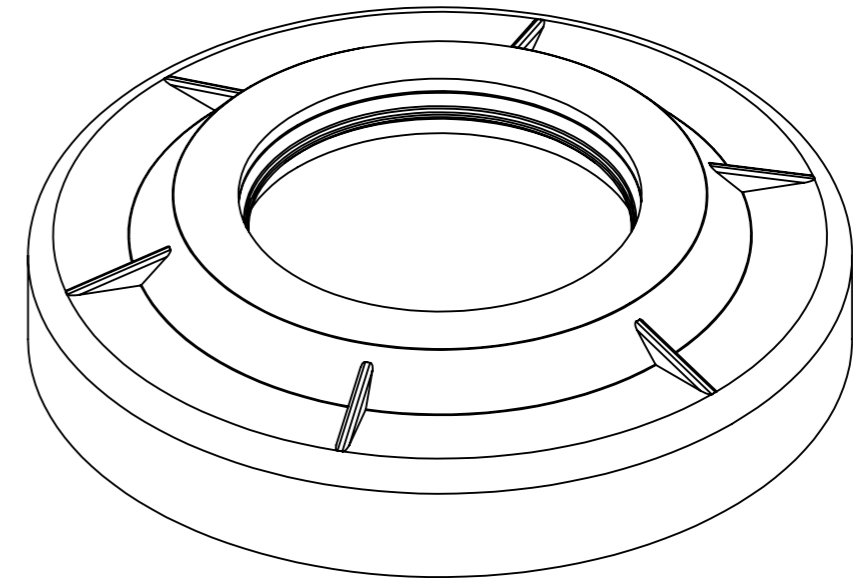


SECTION A-A



GENERAL TOLERANCES according to ISO 2768mK
 CASTING according to ISO 8062
 FLAME CUTTING according to ISO 9013-331
 WELDING QUALITY: Level C according to SFS-EN ISO 5817
 WELDED STRUCTURES according to EN-ISO 13920-BE

Revision description

Designed by

Approved by

560	/	500
560	/	315
500	/	315
400	/	315
316	/	200
315	/	160
A	/	B



Units
mm

Sheet
1/1

Mass

Scale
1:3

Sheet size
A3

Material

Finish

Designed by

Date

Approved by

Date

THE INFORMATION CONTAINED IN THIS DRAWING IS THE SOLE PROPERTY OF BELLAPIPE OY. ANY REPRODUCTION IN PART OR AS A WHOLE WITHOUT THE WRITTEN PERMISSION OF BELLAPIPE OY IS PROHIBITED.

Description

Drawing number

Rev



Ulkopuolinen teleskooppirengas