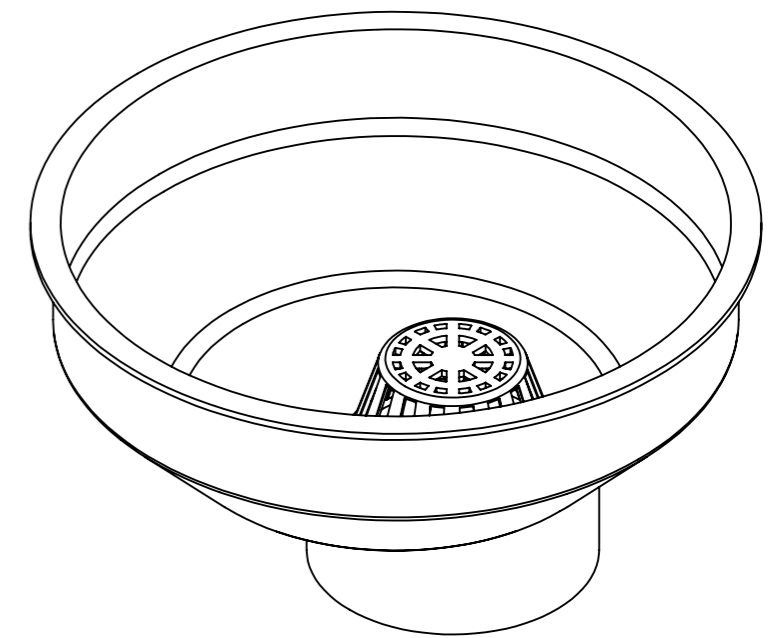
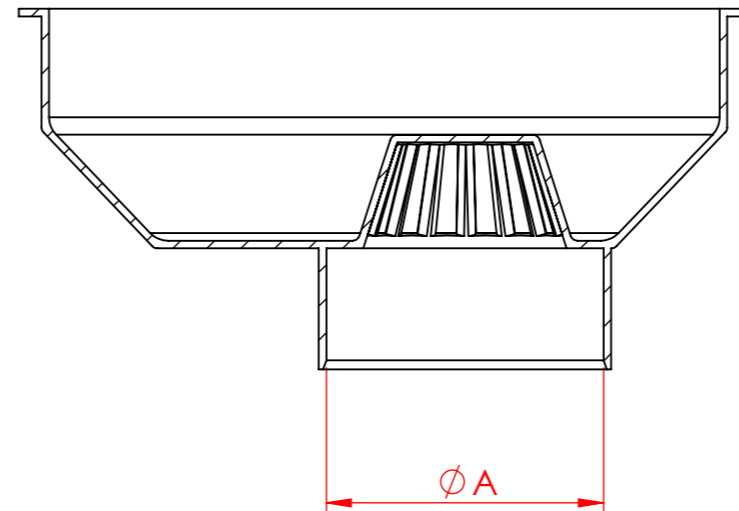


SECTION A-A



GENERAL TOLERANCES according to ISO 2768mK
 CASTING according to ISO 8062
 FLAME CUTTING according to ISO 9013-331
 WELDING QUALITY: Level C according to SFS-EN ISO 5817
 WELDED STRUCTURES according to EN-ISO 13920-BE

Revision description

Designed by

Approved by

110
A

	Mass	Material	Designed by	Date
	Units mm	Scale 1:3	Approved by	Date
	Sheet 1/1	Sheet size A3	THE INFORMATION CONTAINED IN THIS DRAWING IS THE SOLE PROPERTY OF BELLAPIPE OY. ANY REPRODUCTION IN PART OR AS A WHOLE WITHOUT THE WRITTEN PERMISSION OF BELLAPIPE OY IS PROHIBITED.	
		Description Sadevesisuppilo	Drawing number	Rev